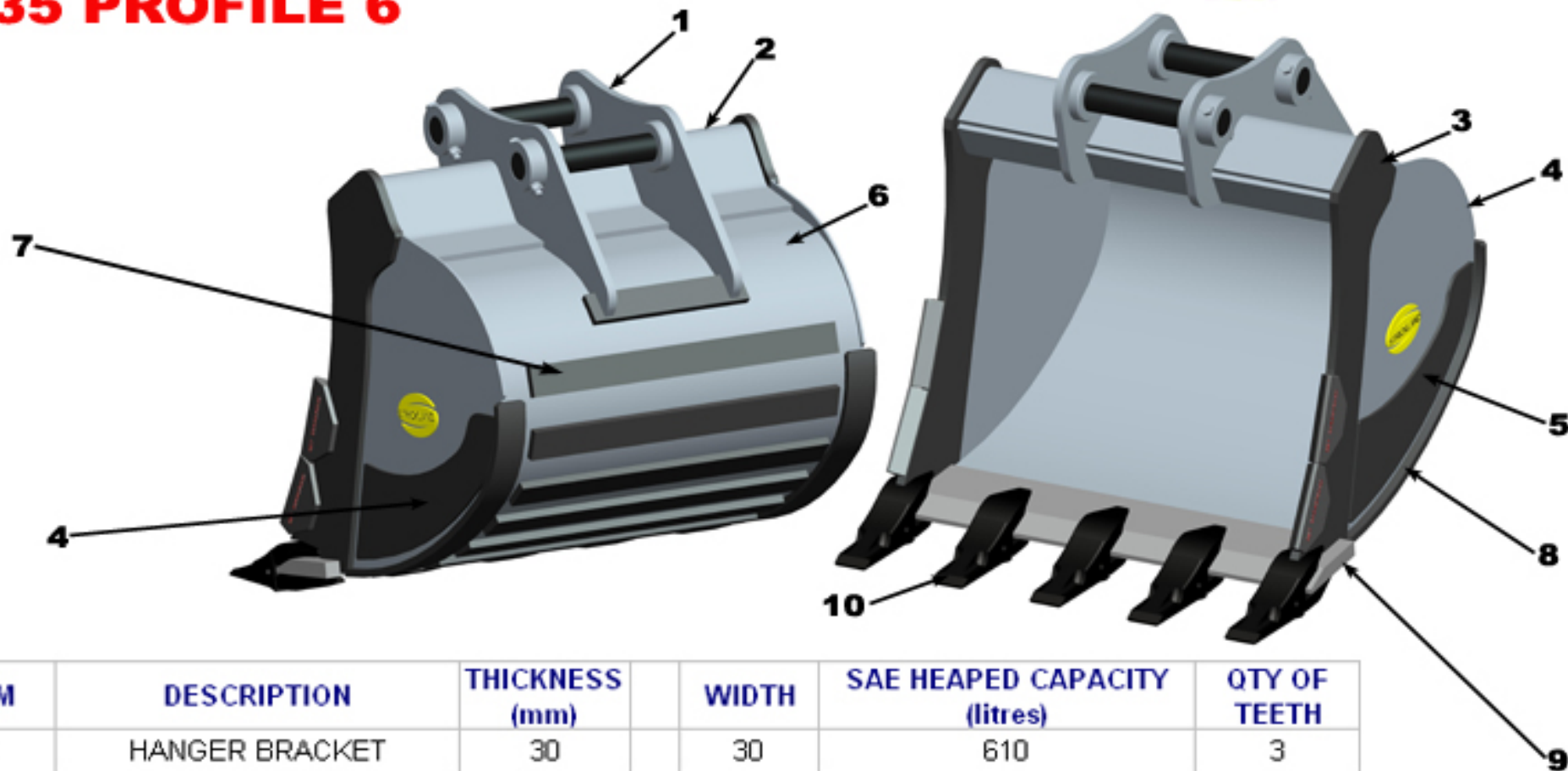


# BT35 PROFILE 6



ITEM	DESCRIPTION	THICKNESS (mm)	WIDTH	SAE HEAPED CAPACITY (litres)	QTY OF TEETH
1	HANGER BRACKET	30	30	610	3
2	BEAM SECTION	20	36	800	3
3	FRONT SIDE PLATE	30	39	895	4
4	REAR SIDE PLATE	12	42	995	4
5	LOWER SIDE SKIRT	12	48	1195	4
6	ROLLED BACK PLATE	12	54	1395	5
7	SIDE TO SIDE WEAR STRIPS	25	60	1595	5
8	CURVED WEAR RUNNER	25	63	1695	5
9	CUTTING EDGE	50	66	1797	5
10	STANDARD TOOTH SYSTEM	QT J460	72	2000	6

