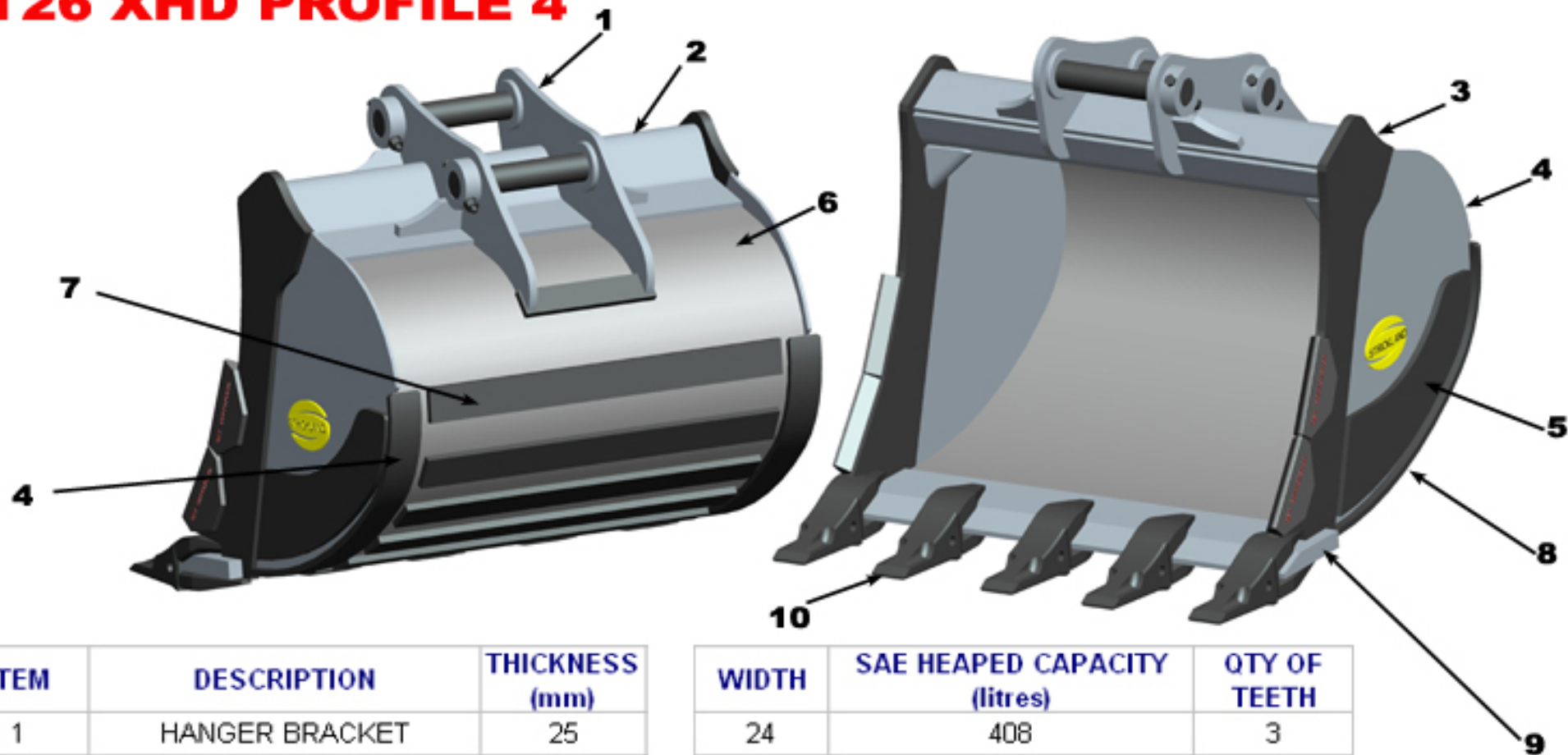


# BT26 XHD PROFILE 4



ITEM	DESCRIPTION	THICKNESS (mm)
1	HANGER BRACKET	25
2	BEAM SECTION	15
3	FRONT SIDE PLATE	30
4	REAR SIDE PLATE	12
5	LOWER SIDE SKIRT	20
6	ROLLED BACK PLATE	12
7	SIDE TO SIDE WEAR STRIPS	20
8	CURVED WEAR RUNNER	20
9	CUTTING EDGE	50
10	STANDARD TOOTH SYSTEM	QT J460

WIDTH	SAE HEAPED CAPACITY (litres)	QTY OF TEETH
24	408	3
30	535	3
36	690	3
39	769	3
42	849	4
48	1011	4
54	1173	5
60	1335	5
63	1416	5
66	1497	5

