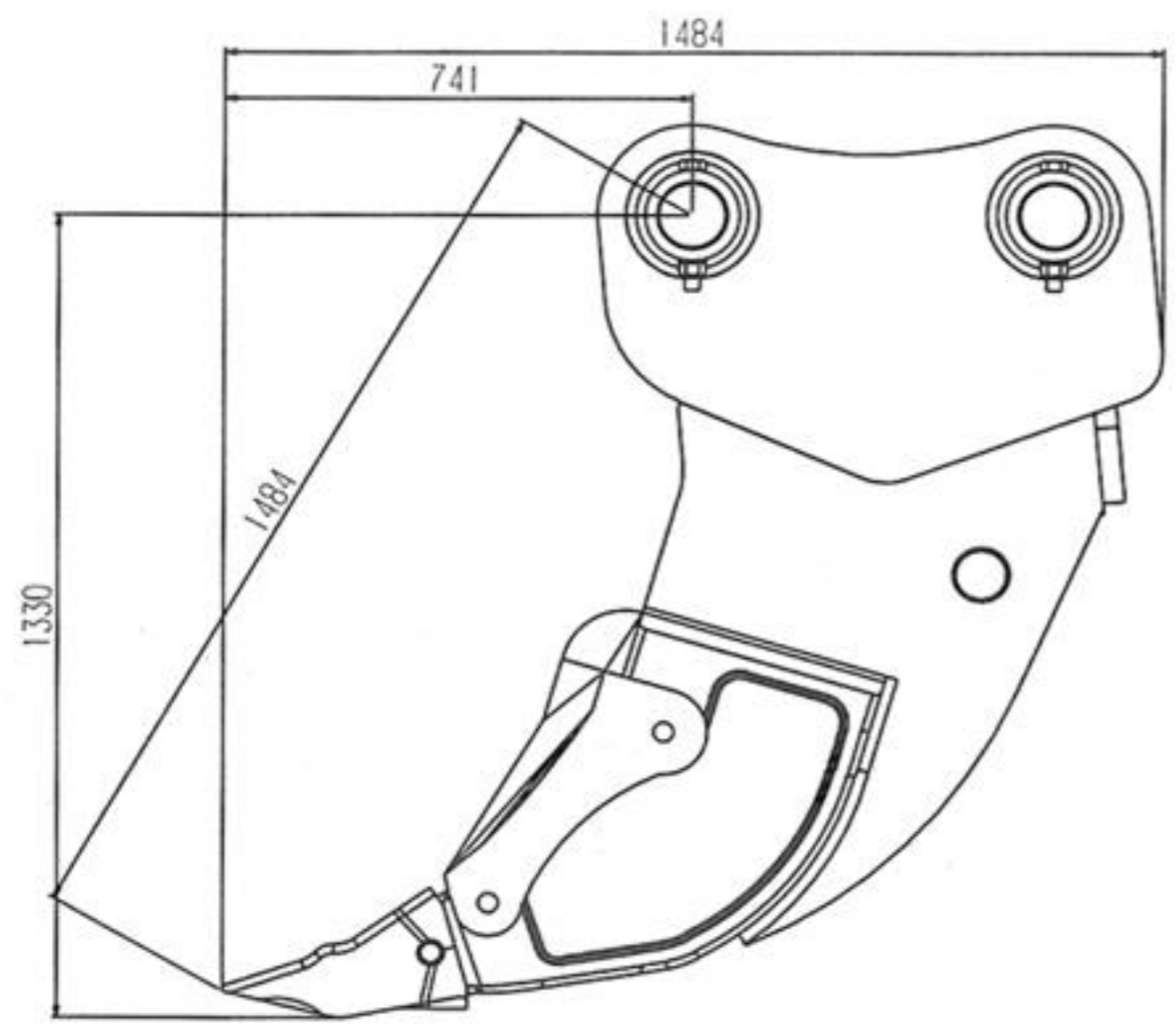
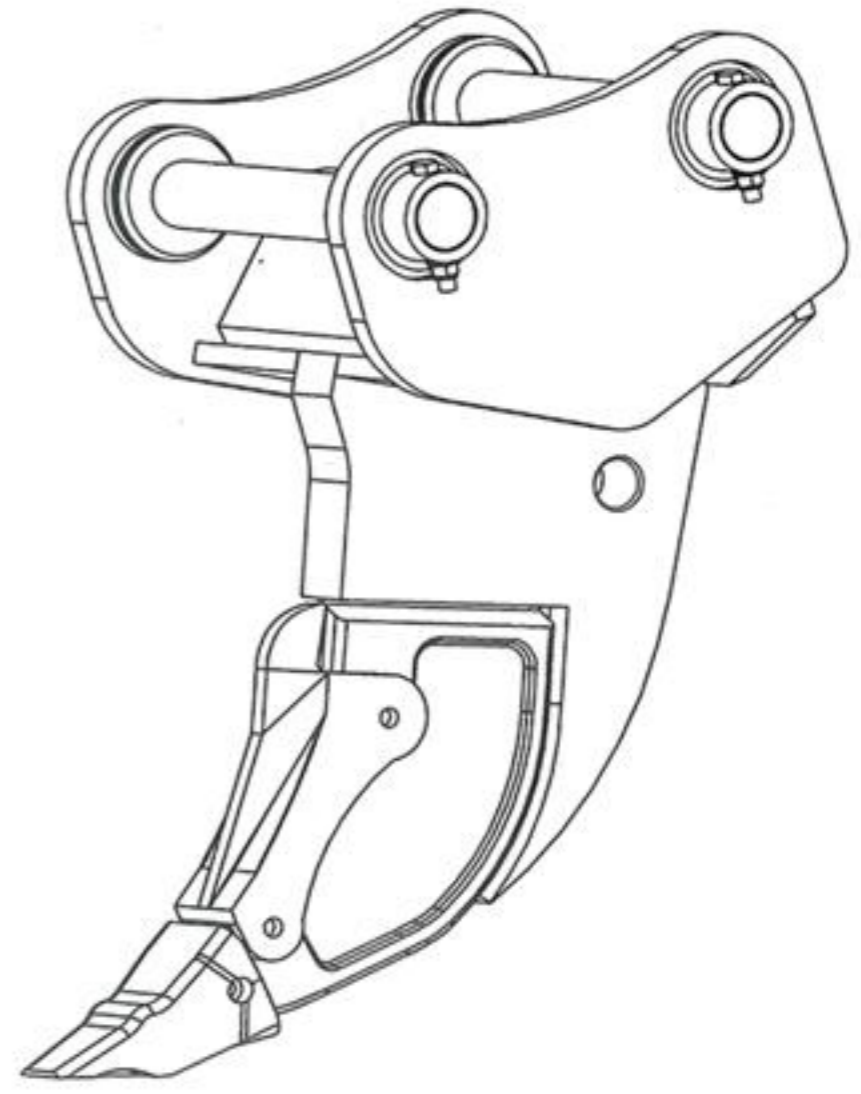


# RIP50 RIPPER HOOK FOR 40 - 50 TONNE EXCAVATORS



1123KG



GG-RIP50014470



DESCRIPTION				
REVISIONS				DATE
REVISION				AD
DRAWN	DATE	CHECKED	DATE	SCALE
WJ	01/01/01			1:1
TOTAL NUMBER OF SHEETS		THIS SHEET NO.		

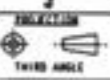
© STRICKLAND DIRECT LIMITED 2000. ALL DESIGN RIGHTS OR OTHER INTELLECTUAL PROPERTY RIGHTS IN THIS DESIGN AND THE COPYRIGHT IN THIS DRAWING ARE THE PROPERTY OF STRICKLAND DIRECT LIMITED. ANY UNAUTHORIZED USE THEREOF WILL CONSTITUTE AN INFRINGEMENT OF THE INTELLECTUAL PROPERTY RIGHTS OF STRICKLAND DIRECT LIMITED.

**STRICKLAND DIRECT**  
PART OF THE STRICKLAND GROUP

UNLARGED OR REDUCED  
ASSEMBLED  
UNLESS OTHERWISE STATED

UNLESS OTHERWISE STATED  
UNLESS OTHERWISE STATED

ANY UNNECESSARY SHARP EDGES TO BE REMOVED.



IF IN DOUBT-PLEASE ASK  
DO NOT SCALE

GROUP FILE