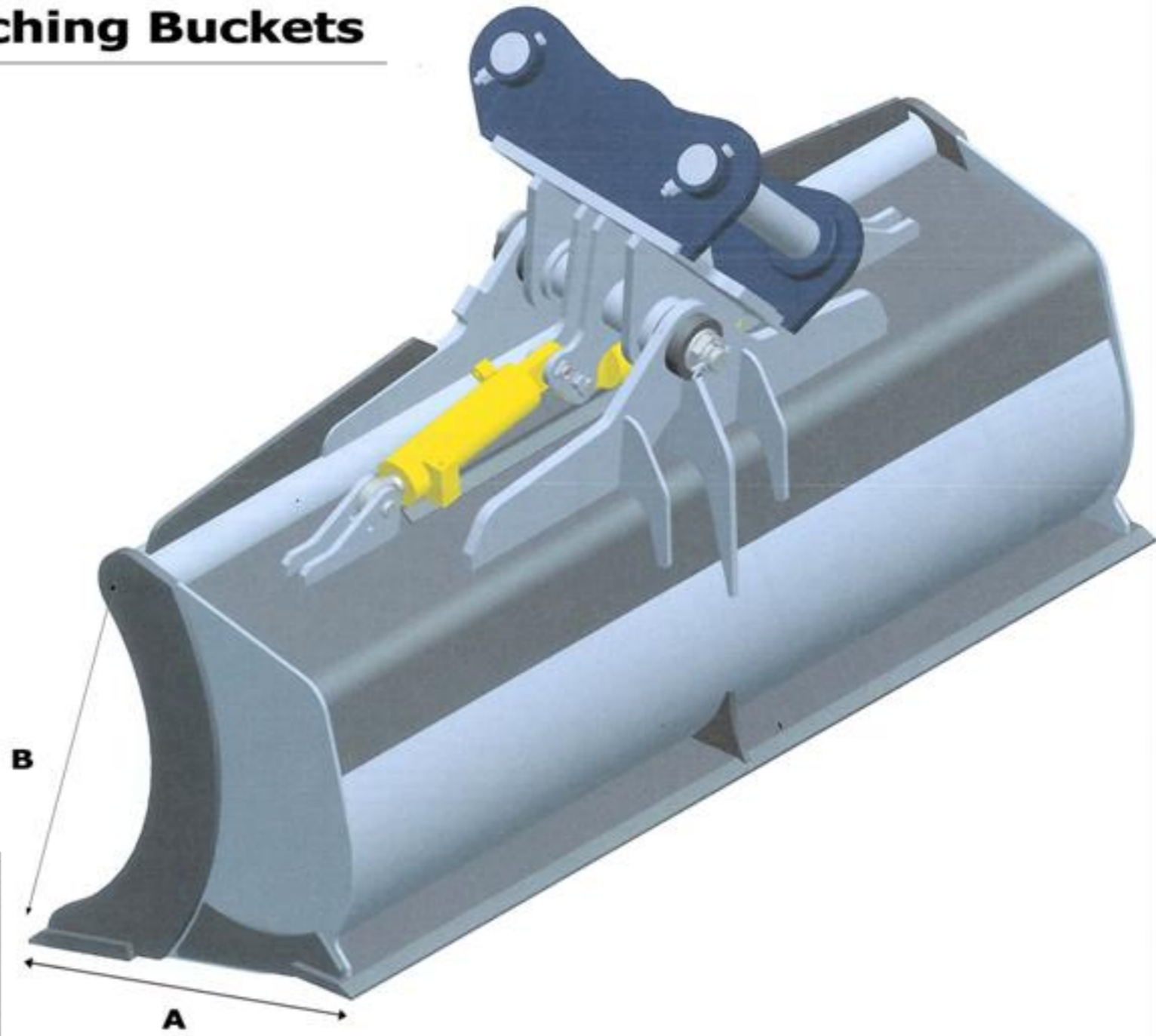
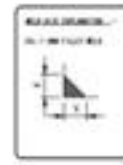


# Twin Ram Hydraulic Tilting Ditching Buckets



Model	Tonnage	Width	Weight kg	Capacity litres	"A" mm	"B" mm
TD04	4T	48"	272		484	413
TD05	5T	48"	333	230	570	430
TD06	6T	60"	384	303	570	430
TD08	8T	72"	416	367	570	430
TD13	13T	72"	610	580	742	542
TD16	16T	72"	864	927	819	712
TD22	21T	84"	1014	1096	820	712



DESCRIPTION					
SCHEMATIC No.					SCALE
REVISION					AD
DRAWN	DATE	CHECKED	DATE	SCALE	
100	07/16			1:1	
TOTAL NUMBER OF SHEETS			THIS SHEET NO.		

© STRICKLAND DIRECT LIMITED 2000. ALL DESIGN RIGHTS OR OTHER INTELLECTUAL PROPERTY RIGHTS IN THIS DESIGN AND THE COPYRIGHT IN THIS DRAWING ARE THE PROPERTY OF STRICKLAND DIRECT LIMITED. ANY UNAUTHORIZED USE THEREOF WILL CONSTITUTE AN INFRINGEMENT OF THE INTELLECTUAL PROPERTY RIGHTS OF STRICKLAND DIRECT LIMITED.

**STRICKLAND DIRECT**  
PART OF THE STRICKLAND GROUP

FOLLOWED BY WELLS UNLESS OTHERWISE STATED  
1:1 - DIMENSIONS  
1:2 - DIMENSIONS  
1:4 - DIMENSIONS

INDICATED TO TRAFFIC UNLESS OTHERWISE STATED  
1:1 SEE PLACE NO. 01  
1:2 SEE PLACE NO. 12

ANY UNNECESSARY SHARP EDGES TO BE REMOVED.



IF IN DOUBT-PLEASE ASK DO NOT SCALE

DEEP FILE