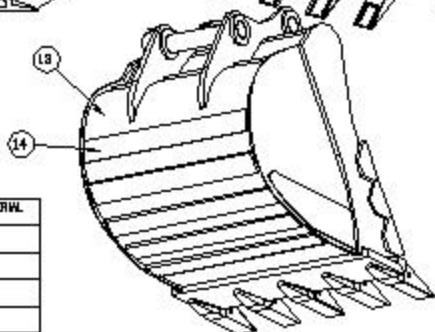
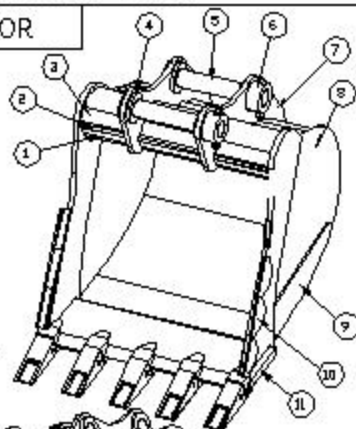
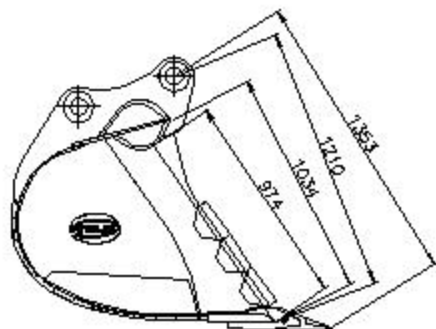




# BUCKET SPECIFICATION

20 TON EXCAVATOR



| ITEM | DESCRIPTION      | THICKNESS MM | MATERIAL |
|------|------------------|--------------|----------|
| 1    | LOWER BEAM       | 15           |          |
| 2    | MIDDLE BEAM PLT  | 15           |          |
| 3    | TOP BEAM         | 15           |          |
| 4    | BUSH             | -            |          |
| 5    | FIN              | -            |          |
| 6    | BUSH WITH HOLE   | -            |          |
| 7    | BRACKET          | -            |          |
| 8    | SIDE PLATE       | 8            |          |
| 9    | SIDE WEAR PLATE  | 10           |          |
| 10   | SIDE CUTTER      | -            | 400      |
| 11   | CUTTING EDGE     | 40           | 400      |
| 12   | MAIN SIDE CUTTER | 25           |          |
| 13   | ROLLED PLATE     | 10           |          |
| 14   | WEAR STRAPS      | 15           |          |

| BUCKET-WIDTH INCH | MM   | No OF TEETH | CAPACITY STRUCK | cu.m RATED | BUCKET WT KG | WHR LBS |
|-------------------|------|-------------|-----------------|------------|--------------|---------|
| 18"               | 457  | 3           | 0.24            | 0.27       | 496          | 1093    |
| 24"               | 610  | 3           | 0.34            | 0.39       | 571          | 1258    |
| 30"               | 762  | 3           | 0.44            | 0.52       | 636          | 1402    |
| 36"               | 914  | 4           | 0.53            | 0.65       | 718          | 1583    |
| 39"               | 990  | 4           | 0.58            | 0.72       | 750          | 1653    |
| 42"               | 1067 | 5           | 0.63            | 0.79       | 788          | 1737    |
| 48"               | 1219 | 5           | 0.73            | 0.93       | 851          | 1876    |
| 54"               | 1371 | 6           | 0.83            | 1.06       | 934          | 2059    |
| 60"               | 1524 | 6           | 0.93            | 1.20       | 994          | 2191    |

STRICKLAND

Bay 3/ Units, The Heath Works, Main Road, Cropton, Peckore, Works., England, W1R10 3NE

DRAWN BY

HSB

DRG. NUMBER

20T SAL

A4

DATE

SEP 2007