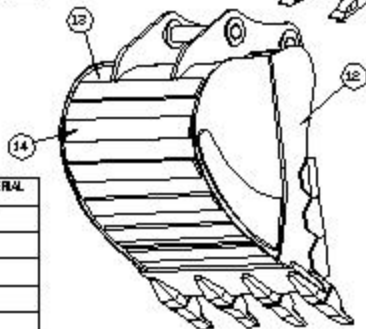
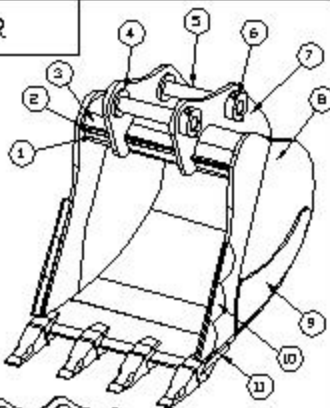
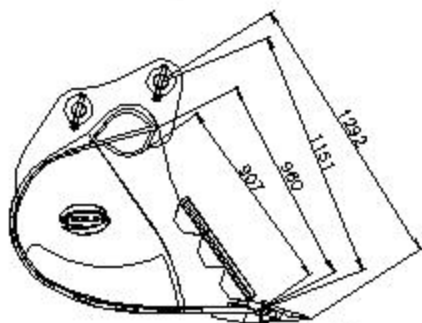




BUCKET SPECIFICATION

16 TON EXCAVATOR



ITEM	DESCRIPTION	THICKNESS MM	MATERIAL
1	LOWER BEAM	15	
2	MIDDLE BEAM PLT	15	
3	TOP BEAM	15	
4	BUSH	-	
5	PIN	-	
6	BUSH WITH HOLE	-	
7	BRACKET	-	
8	SIDE PLATE	B	
9	SIDE WEAR PLATE	10	
10	SIDE CUTTER	-	400
11	CUTTING EDGE	30	400
12	MAIN SIDE CUTTER	25	
13	ROLLED PLATE	10	
14	WEAR STRAPS	15	

BUCKET-WIDTH	No OF	CAPACITY	CUM		BUCKET WEIGHT	
			STRUCK	RATED	KG	LBS
18"	457	3	0.22	0.25	471	-
24"	610	3	0.29	0.34	522	-
30"	762	3	0.38	0.46	580	-
36"	914	4	0.47	0.58	655	-
42"	1067	5	0.56	0.70	730	-
48"	1219	5	0.64	0.83	788	-
54"	1371	8	0.73	0.95	863	-

STRICKLAND

Bay 3 / Units, The Heath Works, Main Road,
Croft on e, Pers l o r e, Worcs., England, WR10 3NE

DRAWN BY

HSB

DRG. NUMBER

1BT SAL

A4

DATE

SEP 2007