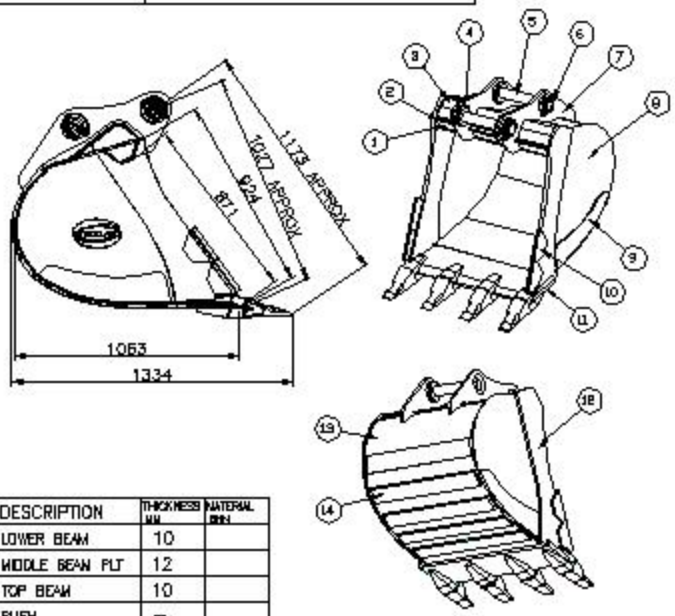




# BUCKET SPECIFICATION

13 TON EXCAVATOR



ITEM	DESCRIPTION	THICKNESS MM	MATERIAL
1	LOWER BEAM	10	
2	MIDDLE BEAM PLT	12	
3	TOP BEAM	10	
4	BUSH	-	
5	PIN	-	
6	BUSH WITH HOLE	-	
7	BRACKET	-	
8	SIDE PLATE	8	
9	SIDE WEAR PLATE	8	
10	SIDE CUTTER	-	400
11	CUTTING EDGE	30	400
12	MAIN SIDE CUTTER	25	
13	ROLLED PLATE	8	
14	WEAR STRAPS	12	

BUCKET-WIDTH		No OF TEETH	CAPACITY CUM		BUCKET WEIGHT	
INCH	MM		STRUCK	RATED	KG	LBS
18"	457	3	0.20	0.23	383	844
24"	610	3	0.26	0.31	420	926
30"	762	3	0.34	0.42	464	1023
36"	914	4	0.42	0.53	525	1157
42"	1067	5	0.50	0.64	585	1289
48"	1219	5	0.58	0.75	629	1386

STRICKLAND

Bay 37 Units, The Heath Works, Main Road,  
Crophorne, Pershore, Worcs., England, WR10 3NE

DRAWN BY

HSB

DRG. NUMBER

13T SAL

A4

DATE

SEP 2007